

CB22-4L-LKFS

Center Basket Lumen & Kelvin Selectable



Project:	
Type:	
Catalog #:	



STANDARDS



HOUSING

- Premium powder-coat, steel, white housing.

ELECTRICAL

- Operating temperature (ambient): -25°C to 50°C (-13°F to 122°F).
- Universal 120-277V AC voltage (50-60Hz) is standard.
- 0-10VDC, continuous dimming capability drivers are standard.
- Emergency driver option available.
- Type IC rated for insulated ceilings.
- Inherently protected.
- Uniform illumination with no visible LED pixilation.
- Input transient surge protection = 2.5kV.
- Power factor > 0.90.
- Total Harmonic distortion < 20%.

OPTICAL SYSTEM

- PMMA (polymethyl methacrylate) frosted lens.
- Field selectable 3500k (warm white), 4000k (neutral white) and 5000k (cool white) color temperatures*.
- Provides a range of 3,600 to 4,700 nominal lumens*.
- Long-life LEDs provide 180,000 hours of operation with at least 70% of initial lumen output (L70), and 54,000 hours with at least 90% of initial lumen output (L90)**.
- Optional Microwave Sensor (factory installed).
- Remote control required for programming of sensor.
- LED color maintenance < -0.0012 chromaticity shift ($\Delta u'v'$) over the initial 6,000 hours of operation.
- Color rendering index > 80.

* Default kelvin temperature 4000k and highest lumen output.
**L70 & L90 hours are IES TM-21-11 calculated hours.

MOUNTING*

- Standard recessed mounting in grid ceilings, fits in standard 2'x2' grid ceilings.
- Built-in earthquake clips provide secure installation in grid ceilings.
- Surface mounting and flange mount kits are optional.
- Optional Suspension mounting using cable mount kit and earthquake clips.
- Easy installation in new construction or retrofit.

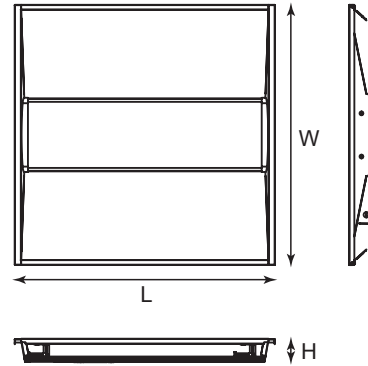
* See accessories section for mounting accessories.

CODE COMPLIANCE

- cULus listed for damp locations.
- UL listed for maximum of 4. 12AWG through branch circuit conductor.
- DLC standard listed.
- Complies with FCC part 15, class A.

WARRANTY

- 5 year warranty on all electronics and housing.



Model #	L (in)	W (in)	H (in)	Weight (lbs)
CB22-4L-LKFS (-ODS)	23.74	23.74	2.13	7.25

ORDERING INFORMATION

Example: CB22-4L-LKFS (-ODS)

Series	Nominal Lumen Output (Selectable)		Kelvin Selectable		Emergency Driver		Factory Installed Sensor	
	4L	4,700 / 4,200 / 3,600	LKFS	35K / 4K / 5K	EM5	5W Emergency Driver	ODS	Factory installed Microwave Sensor
CB22	4L	4,700 / 4,200 / 3,600	LKFS	35K / 4K / 5K	EM10	10W Emergency Driver	Blank	No Sensor
					EM13	13W Emergency Driver		
					Blank	No Emergency Driver		

ACCESSORIES (ORDER SEPARATELY)

Remote Mount Sensors:

YM2301 = Ceiling Mount 360° PIR Sensor
 YM2108T = Wall Switch With PIR OCC/VAC Sensor

HD05R = Remote control required for programming factory installed sensor(sold separately)

Default sensor settings: detection area =100%, hold time = 5 sec, daylight threshold = disabled, stand-by period = 0 sec, stand-by dimming level = 10%

Dimmer:

DWS-010-T = 0-10V Dimmer, Toggle Switch
 DWS-010-D = 0-10V Dimmer, Decora Switch
 IP710-DLZ = 0-10V Dimmer, Button Switch

Mounting Option:

SMKT-22 = Compatible Surface Mount Kit for CB22-4L-LKFS.
 FLANGEKIT22-ET = Compatible Recessed Flange Mount Kit for CB22-4L-LKFS.
 PNL-CM = Set Of (4) 1 Meter Cables For Suspending CB22-4L-LKFS and CB24-6L-LKFS.

Remote Mount EM Drivers:

BLEM-CP-5C = 5W Emergency Driver W/Conduit and Test Button
 BLEM-CP-10C = 10W Emergency Driver W/Conduit and Test Button
 BLEM-CP-13C = 13W Emergency Driver W/Conduit and Test Button

LUMEN TABLES

Series	Measurements	Low Lumens			Mid Lumens			High Lumens		
		3500K	4000K	5000K	3500K	4000K	5000K	3500K	4000K	5000K
CB22-4L-LKFS (-ODS)	Lumens	3,447	3,608	3,591	3,953	4,174	4,136	4,500	4,769	4,716
	Watt	25.58	24.54	25.34	29.68	28.75	29.83	34.61	33.39	34.78
	Efficacy	134.75	147.03	141.71	133.19	145.18	138.65	130.02	142.83	135.60

ELECTRICAL DATA

Series	CCT	Input Amps (A)								
		Low Lumens			Mid Lumens			High Lumens		
		120V	240V	277V	120V	240V	277V	120V	240V	277V
CB22-4L-LKFS (-ODS)	3500K	0.21	0.11	0.09	0.25	0.12	0.11	0.29	0.14	0.12
	4000K	0.20	0.10	0.09	0.24	0.12	0.10	0.28	0.14	0.12
	5000K	0.21	0.11	0.09	0.25	0.12	0.11	0.29	0.14	0.13

PHOTOMETRICS

CB22-4L-LKFS (-ODS)

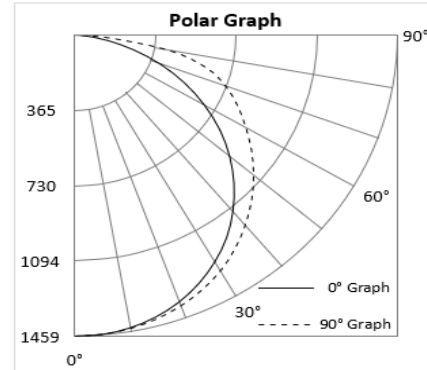
Luminaire Data

Description	2X2 Center Basket Lumen and Kelvin Select
Total Lumens	4,205
Input Wattage	33
Efficacy (lm/W)	126
Spacing Criterion (0-180°)	1.3
Spacing Criterion (90-270°)	1.36

**Represents performance when set to 4000k and highest lumen output.*

Zonal Lumen Summary

Zone	Lumens	%Fixt
0-20°	475	11.3%
0-30°	1,020	24.3%
0-40°	1,694	40.3%
20-50°	1,943	46.2%
40-70°	1,995	47.4%
0-60°	3,108	73.9%
0-80°	4,092	97.3%
0-90°	4,205	100.0%
90-180°	0	0.0%
0-180°	4,205	100.0%



COMPATIBLE EMERGENCY DRIVERS-INSTALLED

Emergency Driver Part Number	EM5		EM10		EM13	
	Watts	EM Lumens	Watts	EM Lumens	Watts	EM Lumens
CB22-4L-LKFS (-ODS)	5	650	10	1300	1	1690

COMPATIBLE DIMMERS AND CONTROLS

Manufacturer	Model Number	Dimmer Range	Load Switching Capacity
Best Lighting	DWS-010V-T	10%-100%	600W
Best Lighting	DWS-010V-D	10%-100%	600W
Leviton	IP710-LFZ	10%-100%	1200W
Lutron	DVSTV	10%-100%	450W

PLUGS AND CORDS

When ordering a plug, use the following suffix choices.

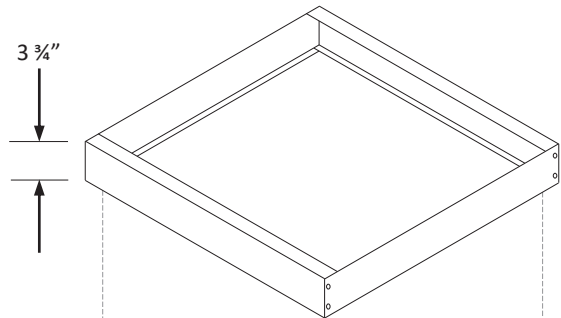
Example: CB22-4L-LKFS-6W3

Note: Cords & plugs do not affect the ability to install sensors.

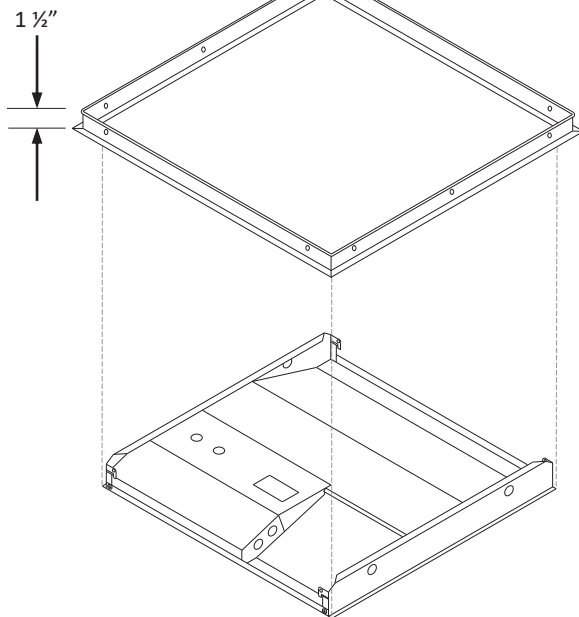
Part number suffix	Description	For use with
6W3	6' whip - 3 conductor (black/white/green)	Standard & UNC
6W4	6' whip - 4 conductor (black/white/green/red)	EM driver
6W5	6' whip - 5 conductor (black/white/green/purple/pink)	Dimming (standard & UNC)
6W6	6' whip - 6 conductor (black/white/green/red/purple/pink)	Dimming & EM driver

MOUNTING MEANS - ORDER SEPARATELY

- Optional Surface Mounting Kit (SMKT-22) mounts below the ceilings.
- Optional flange mounting kits provide for recessed installation on plaster or other hard ceilings. Attached Flange Mount Kit (FLANGEKIT22-ET) to ceiling joists or other stationary structures, and the panel is mounted flush to the ceiling.
- Optional cable mounting kits provide additional security, as well as suspended mounting. Attach one end of the Cable Mount Kit (PNL-CM) to luminaire earthquake clips using spring clips, and attach the other end to stationary structures using the adjustable, locking ceiling attachment (see picture below right).



Surface Mounting Kits (SMKT-22)



Flange Mount Kit (FLANGEKIT22-ET)

Spring Clip:
Attaches to earthquake clip

Cable Mount Kit (PNL-CM)

