

Installation Instruction

WARNING

- To reduce the risk of death, personal injury or property damage from fire, electric shock, falling parts, cuts/abrasions, and other hazards read all warnings and instructions included with and on the fixture box and all fixture labels.
- Before installing, servicing, or performing routine maintenance upon this equipment, follow these general precautions.
- Commercial installation, service and maintenance of luminaires should be performed by a qualified licensed electrician.
- For the installation: If you are unsure about the installation or maintenance of the luminaires, consult a qualified licensed electrician and check your local electrical code.
- To prevent wiring damage or abrasion, do not expose wiring to edges of sheet metal or other sharp objects.
- Do not make or alter any open holes in an enclosure of wiring or electrical components during kit installation.

WARNING

- Turn off electrical power at fuse or circuit breaker box before wiring fixture to the power supply.
- Turn off the power when you perform any maintenance.
- Verify that supply voltage is correct by comparing it with the luminaire label information.
- All wiring connections should be capped with UL approved wire connectors.

CAUTION

- Avoid direct eye exposure to the light source while it is on.
- Account for small parts and destroy packing material, as these may be hazardous to children.
- Risk of burn. Disconnect power and allow fixture to cool before changing bulb or handing fixture.

NOTICE: Green ground screw provided in proper location. Do not relocate.

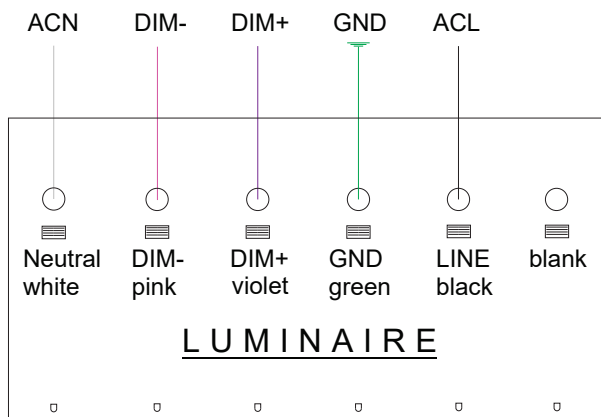
NOTICE: Minimum 90°C supply conductors.

NOTICE: Specifications and dimensions subject to change without notice.

NOTICE: Suitable for Dry or Damp location

General Wiring Diagram

Cord/Supply Wiring



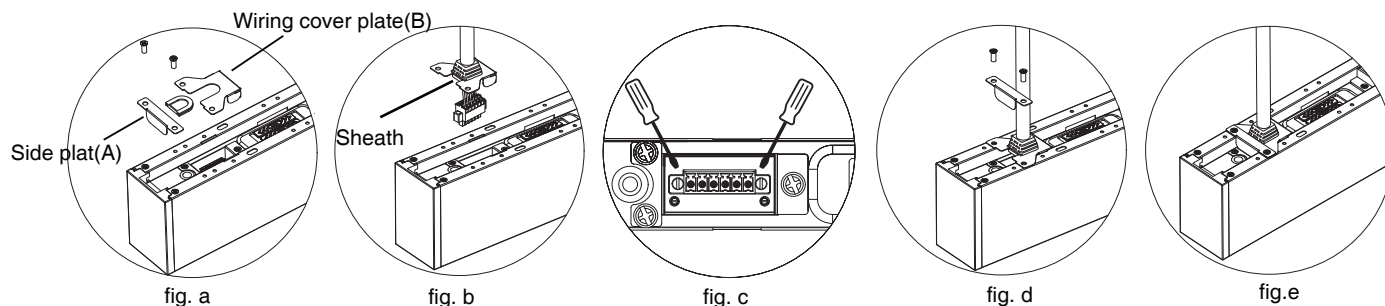
CAUTION

MUST connect wires with corresponding colors.

Installation Instruction

Fixture Power Cord Installation

1. Remove wiring Plate A and B.(fig. a)
2. Snap Power cord sheath onto plate B. Connect the male plug on the power cord to the female socket inside the fixture.(fig. b)
3. Tighten the 2 lock-screws on the male plug with flat-head screwdriver.(fig. c)
4. Reattach Plate A & B to fixture body.(fig. d)
5. Power cord installation completed.(fig. e)







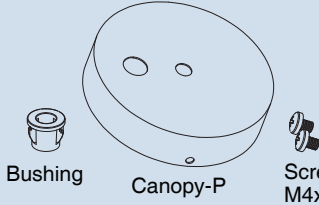
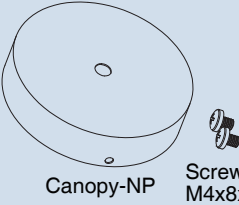

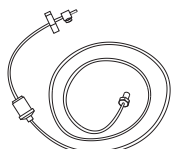
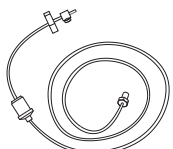
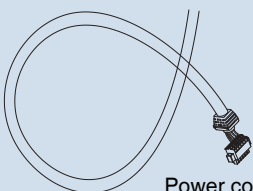
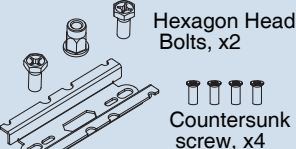



Suspension Types

POWER FEED CANOPY

NO FEED CANOPY

CABLE KIT(Optional)

<p>1</p>  <p>Cross bar</p>	<p>5</p>  <p>Cross bar</p>	<p>10</p>  <p>Ceiling nut</p>
<p>2</p>  <p>Screw A, x2, M4x32x7mm ϕ 6 Anchor, x2</p>	<p>6</p>  <p>Screw A, x2, M4x32x7mm ϕ 6 Anchor, x2</p>	<p>11</p>  <p>Screw A, x1, M4x32x7mm ϕ 6 Anchor, x1</p>
<p>3</p>  <p>Bushing Canopy-P Screw B, x2 M4x8x8mm</p>	<p>7</p>  <p>Canopy-NP Screw B, x2, M4x8x8mm</p>	<p>12</p>  <p>Cable B, height adjustable</p>
<p>4</p>  <p>Cable A, height adjustable</p>	<p>8</p>  <p>Cable A, height adjustable</p>	
 <p>Power cord</p>	<p>9</p>  <p>Hexagon Head Bolts, x2 Countersunk screw, x4</p> <p>Connection Plate*</p>	<p>13</p>  <p>Hexagon Head Bolts, x2 Countersunk screw, x4</p> <p>Connection Plate*</p>

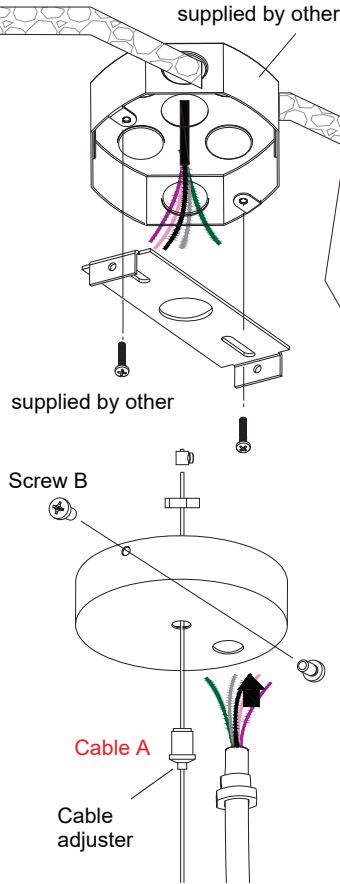
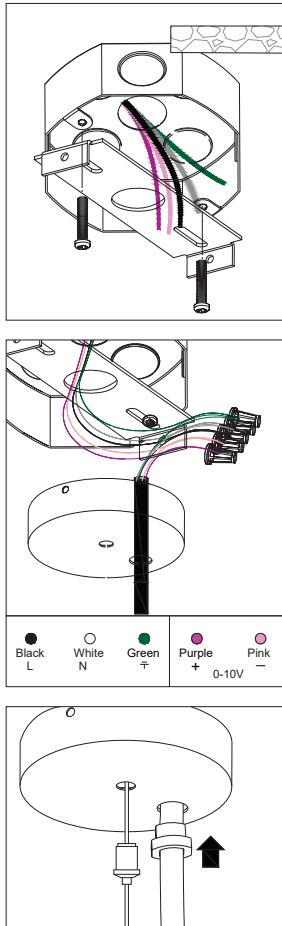
1 to 9 included in Suspension mount kit. 10 to 13 included in Cable kit.

*Required in any type of connection application

Installation Instruction

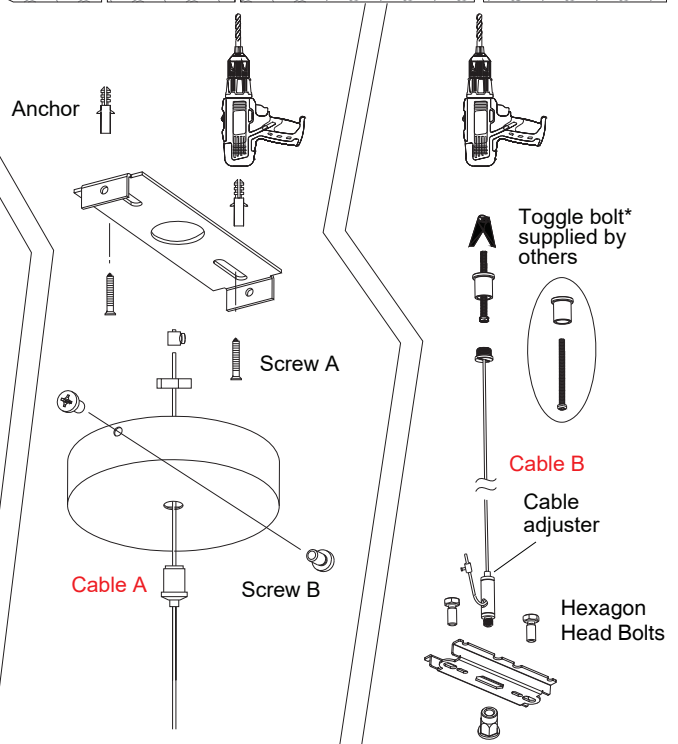
Notice: Always turn off the power supply from main circuit breaker before installing or maintaining fixture.

POWER FEED CANOPY



NON-FEED CANOPY

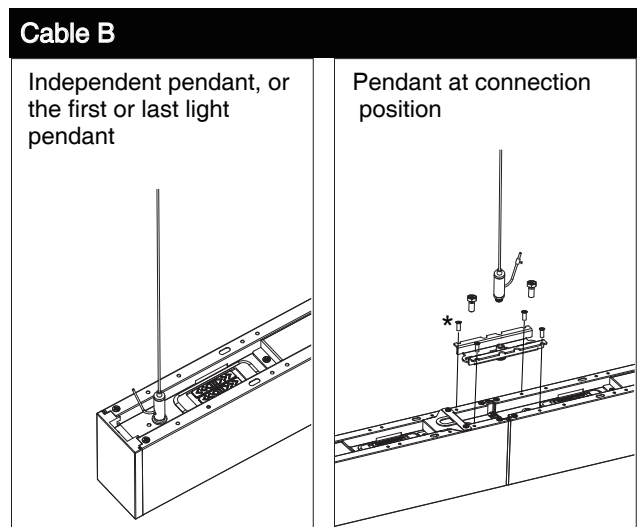
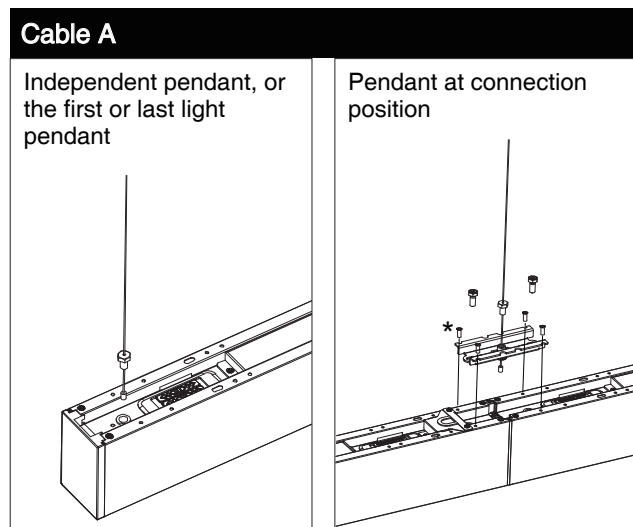
CABLE KIT(non-canopy)



Please isolate two dimming wires(pink and purple) by P2 terminal individually if no need dimming.

* Suitable for Drywall ceiling or T-Grid ceiling

How to hang the fixture?

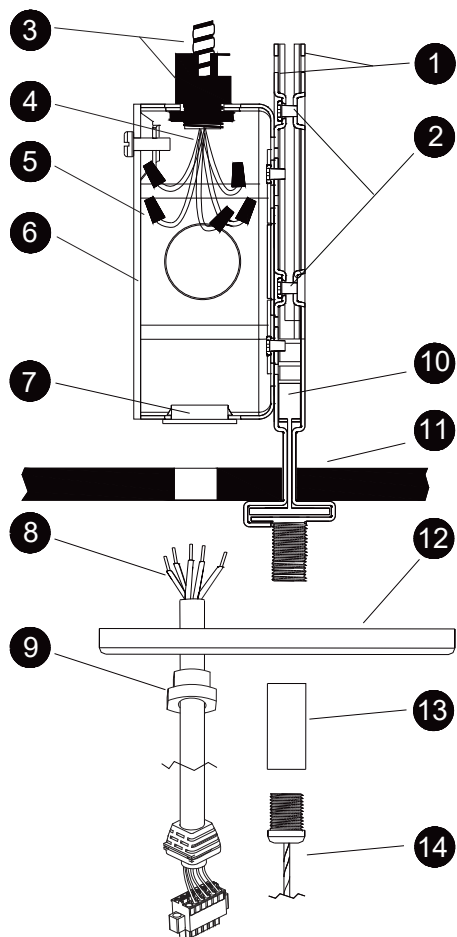


* 4 spare flat-head screws are provided to reinforce the connection between the connector plate and adjacent fixtures. Install as needed based on site conditions.

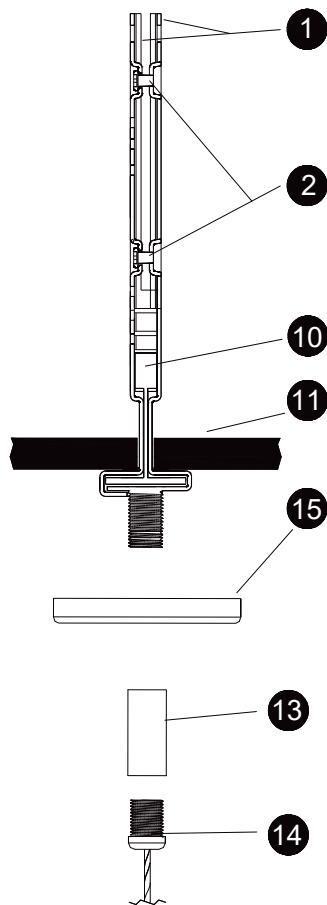
Installation Instruction

Grid Suspension Mount

POWER FEED



NON-FEED SUSPENSION

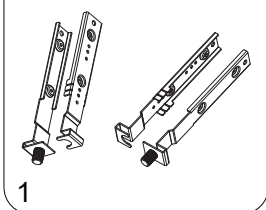


PARTS LIST

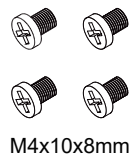
- 1 Assembled T-grid Clips
- 2 Clip Screws
- 3 Armored Cable (By Others)
- 4 Power Cord (By Others)
- 5 Wire Nut (By Others)
- 6 4" Octogon Junction Box (By Others)
- 7 Plastic Grommet (By Others)
- 8 Power Cord
- 9 Bushing
- 10 T-grid (By Others)
- 11 Ceiling Tile (By Others)
- 12 Power Feed Canopy
- 13 Threaded Sleeve M10
- 14 Aircraft Cable
- 15 Non-Feed Canopy
- 16 Connection plate kit

Notice: Always turn off the power supply from main circuit breaker before installing or maintaining fixture.

Assembled T-grid Clips, x2



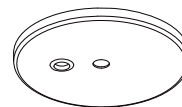
Clip Screws, x4



Bushing, x1



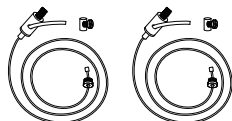
Power Feed Canopy, x1



Threaded Sleeve M10, x2



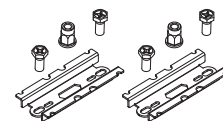
Aircraft Cable, x2



Non-Feed Canopy , x2



Connection plate kit, x2



13

14

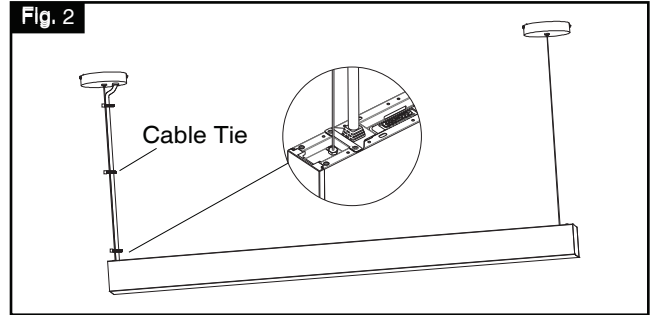
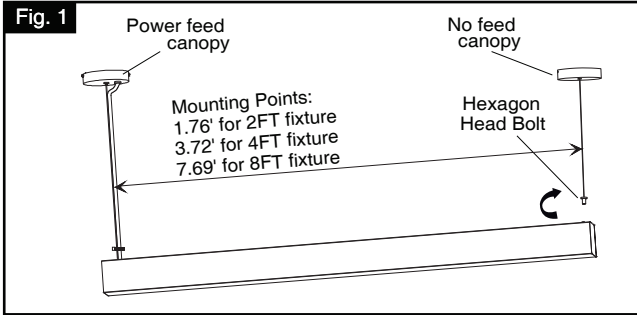
15

16

Countersunk screw, x8

Installation Instruction

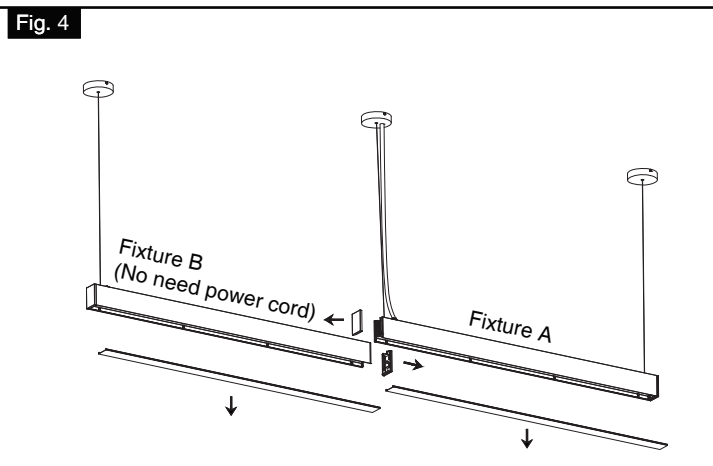
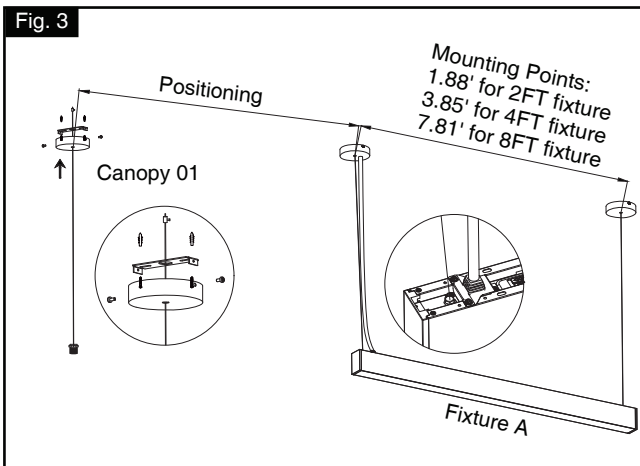
Independent installation, pendant mount



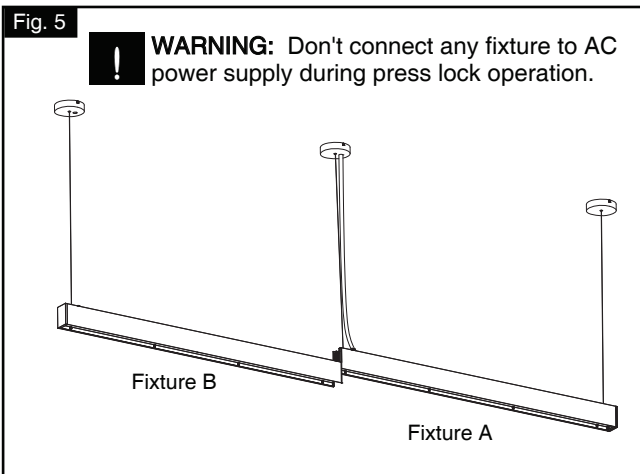
Line Connection

Notice: Always turn off the power supply from main circuit breaker before installing or maintaining fixture.

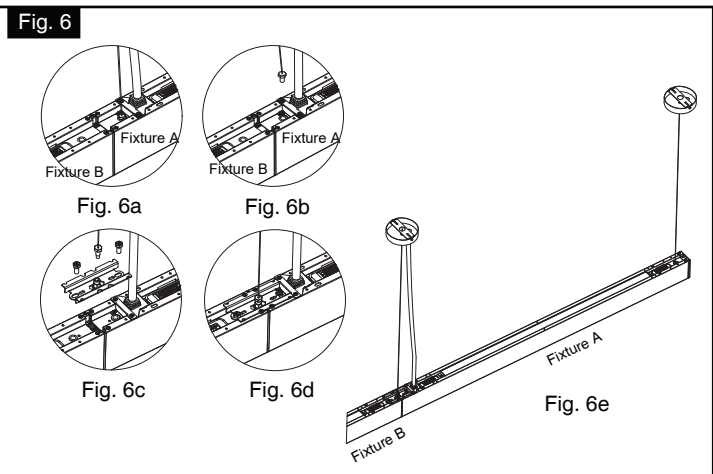
1. Install cross-bar and No feed canopy to the ceiling after positioning refer to the dimensions in Fig 5. (Fig.3)
2. Hang one end of Fixture B firmly. Remove the end-caps and diffusers of the 2 fixtures. (Fig. 4)



3. Align Fixture B to Fixture A, press to interlock the 2 fixtures in a line. (Fig. 5)
4. Remove the cable bolt hung on the Fixture A. (Fig. 6a & 6b)
5. Secure the connection plate to fixtures' back using Hexagon Head Bolt. Hang the combination with the cable bolt just removed. (Fig. 6c & 6d)
6. Adjust to desired height. (Fig. 6e)

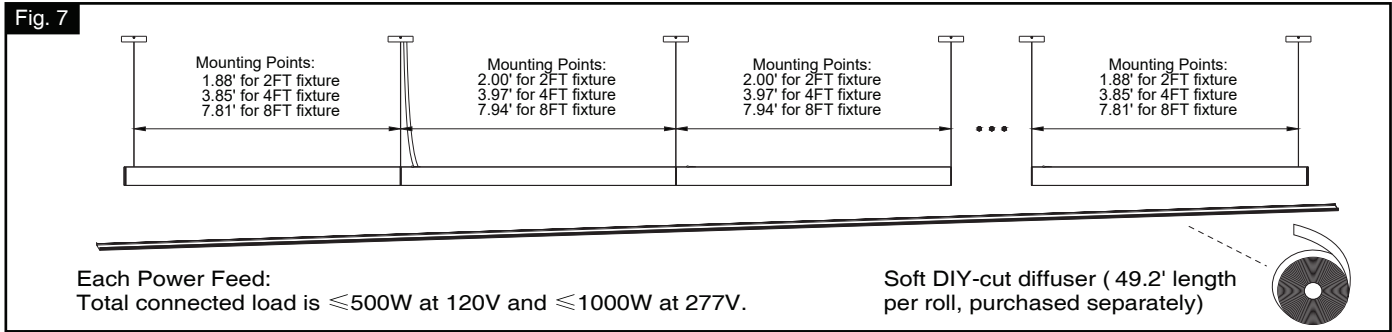


! WARNING: Don't connect any fixture to AC power supply during press lock operation.

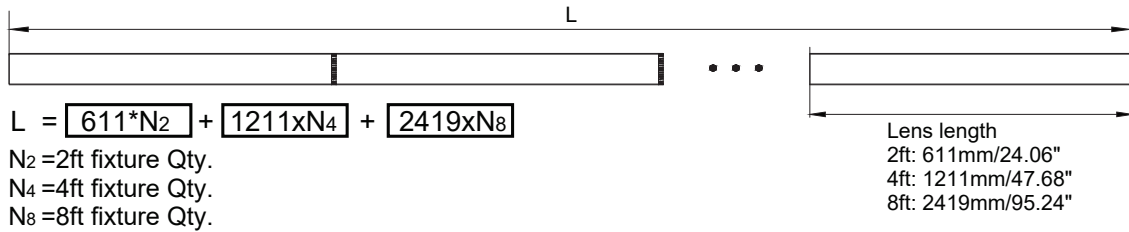


Installation Instruction

7. Repeat above installation steps to make continuous run. Cut the soft lens into a suitable length (refer to Diffuser Length Calculator), and install it to the channel of the fixture housing.

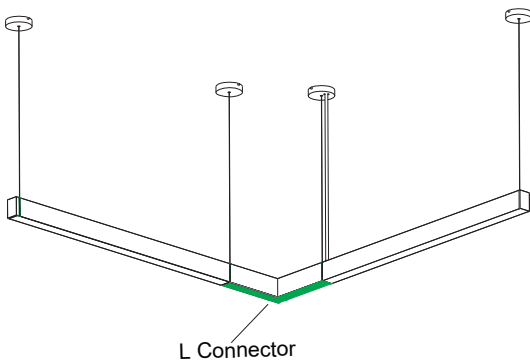


Diffuser Length Calculator for seamless continuous run (Line connection)

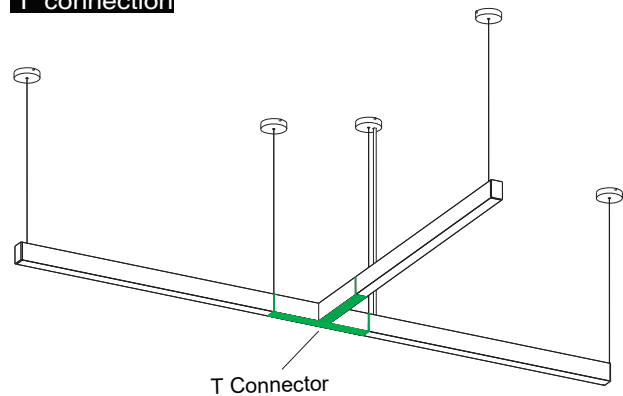


Multiple connection methods

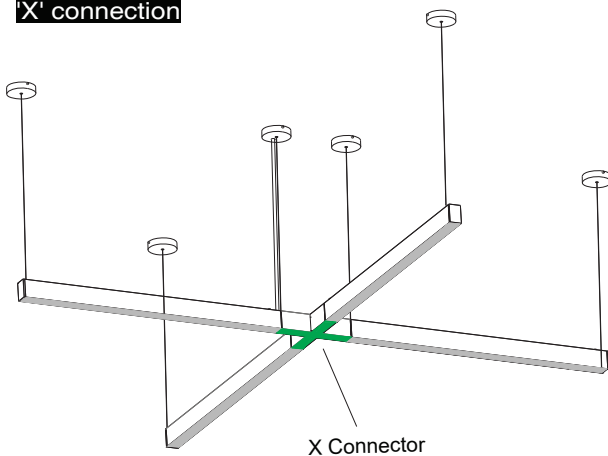
'L' connection



'T' connection



'X' connection



Max. No.* of each Power feed

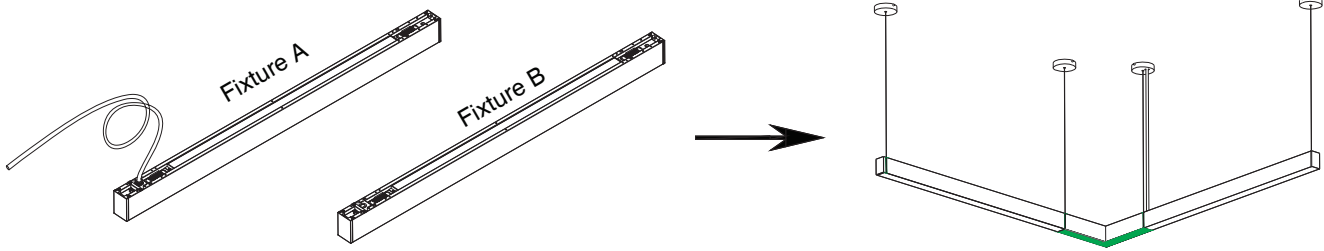
Size/Power	AC 120V	AC 277V
2FT/20W	24 Pcs	48 Pcs
4FT/40W	12 Pcs	24 Pcs
8FT/80W	6 Pcs	12 Pcs

Total connected load is $\leq 500W$ at 120V and $\leq 1000W$ at 277V which include connectors.

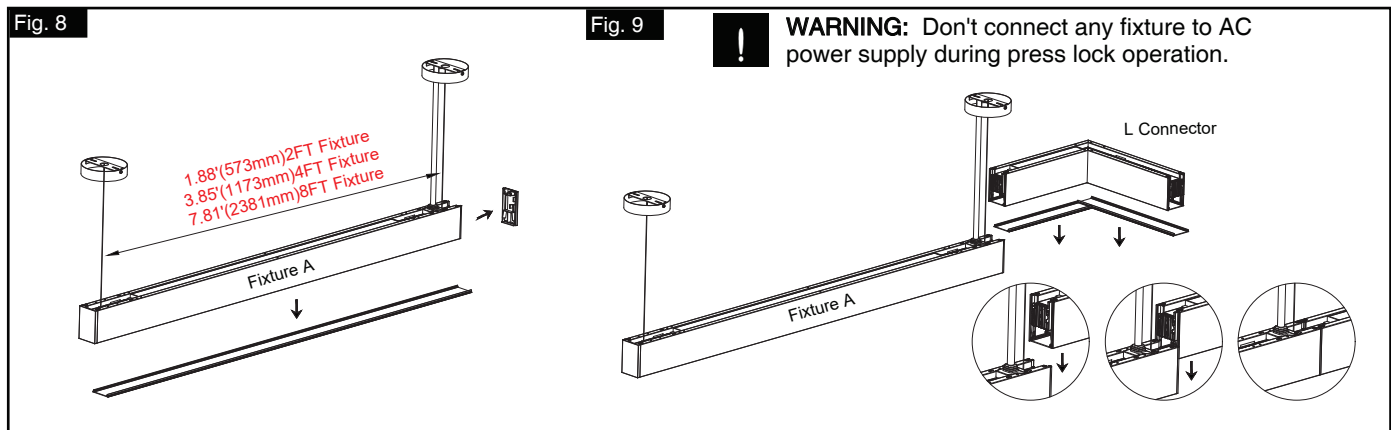
Installation Instruction

L Shape Connection

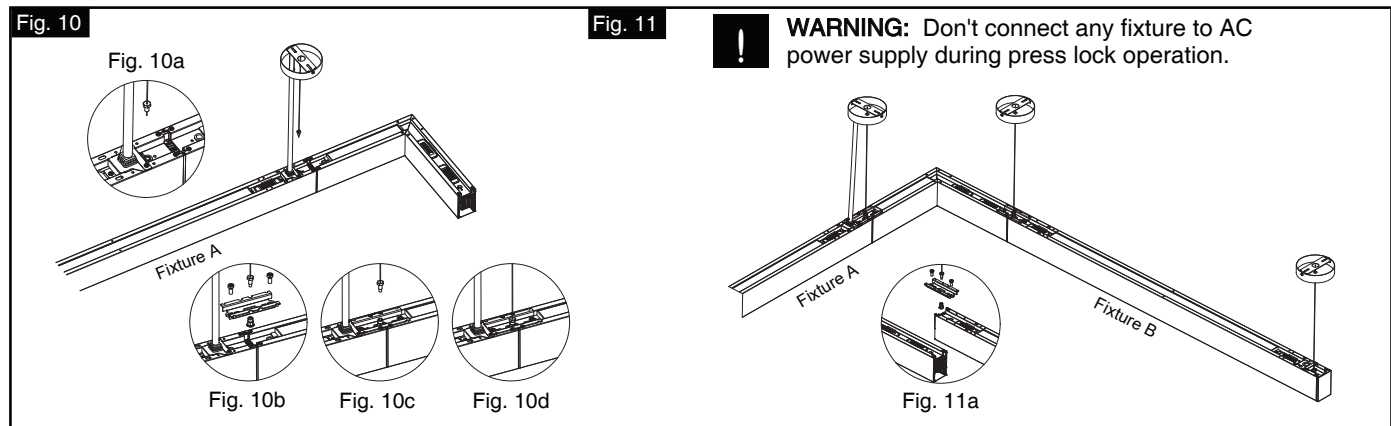
Notice: Always turn off the power supply from main circuit breaker before installing or maintaining fixture.



1. Hang fixture A to the ceiling after positioning, remove endcap and diffuser. (Fig. 8)
2. Press and lock the 'L' connector to fixture A after removing the connector lens. Ensure the connector housing align to the fixture housing. (Fig. 9)

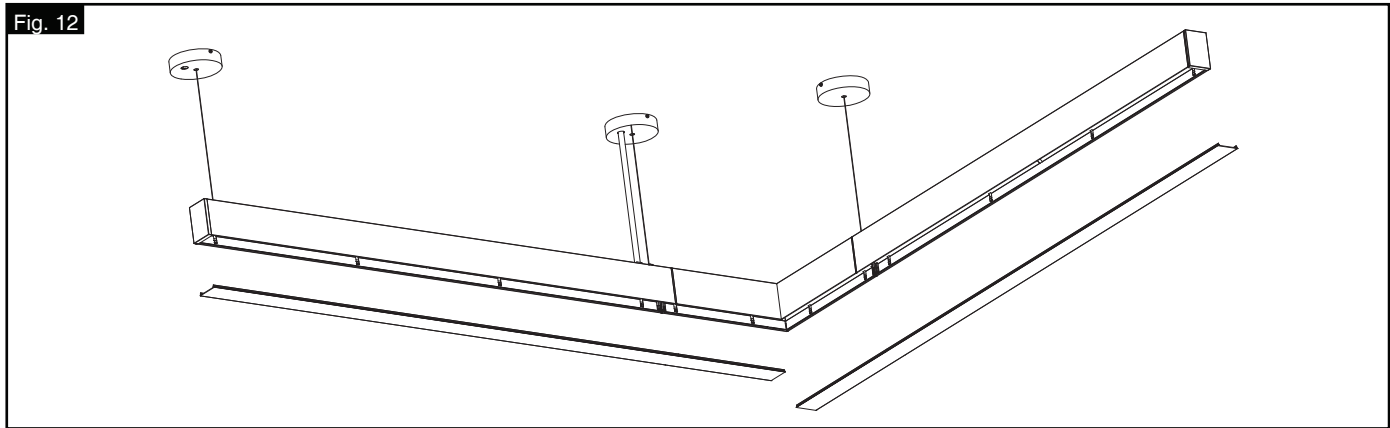


3. Remove the cable bolt hung on the Fixture A (Fig. 10a). Attach the connection plate to fixture A and 'L' connector using Hexagon Head Bolts (Fig. 10b). Hang the combination with the cable bolt just removed and adjust to desired height. (Fig. 10c & 10d)
4. Hang one end of Fixture B firmly to the ceiling after positioning. Remove the end-cap and diffuser of fixture B. Press and lock the fixture B to the 'L' connector. Ensure the fixture B housing align to connector housing (Fig. 11).
5. Secure the connection plate to the fixture B and 'L' connector. Hang the 'L' combination and adjust to desired height. (Fig. 11a)

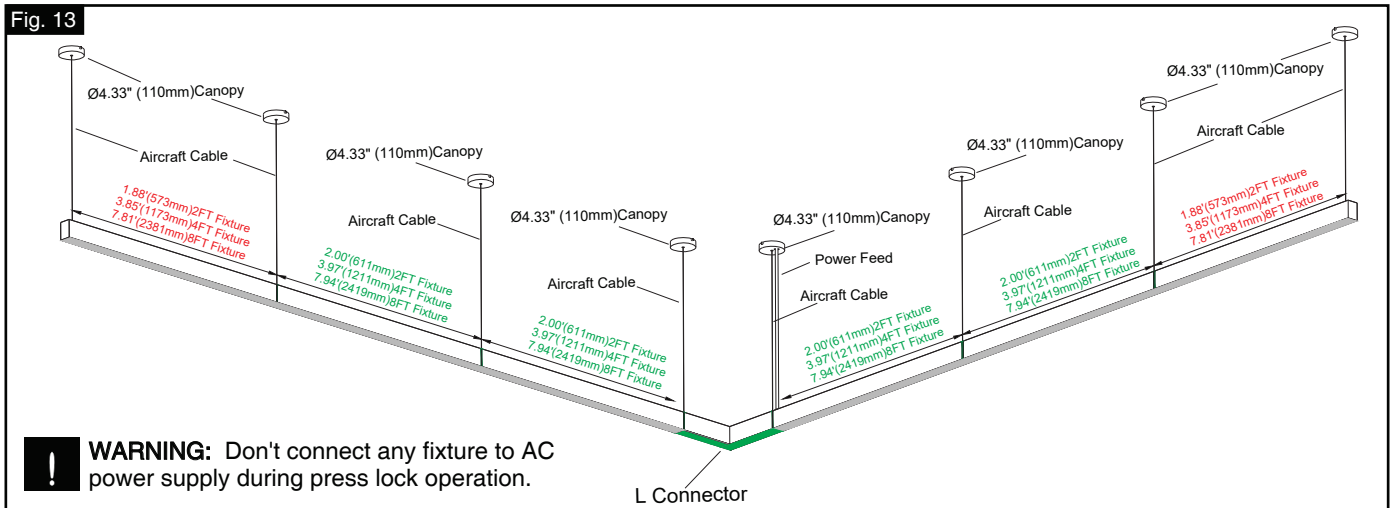


Installation Instruction

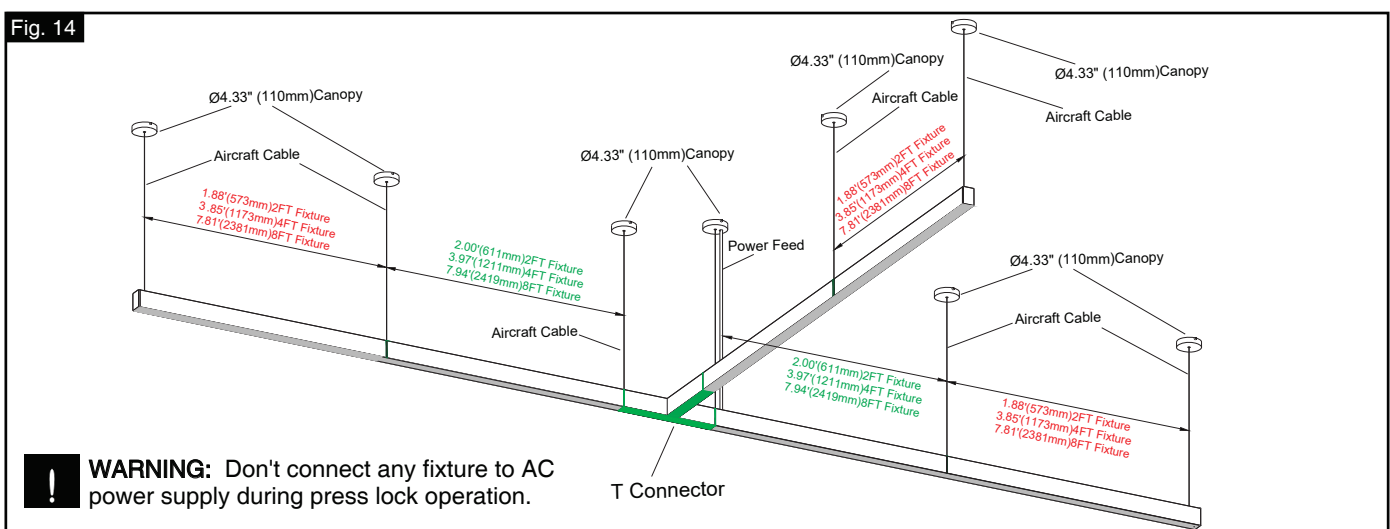
6. Reattach the lenses to fixtures and 'L' connector.(Fig. 12)



'L' shape continuous run

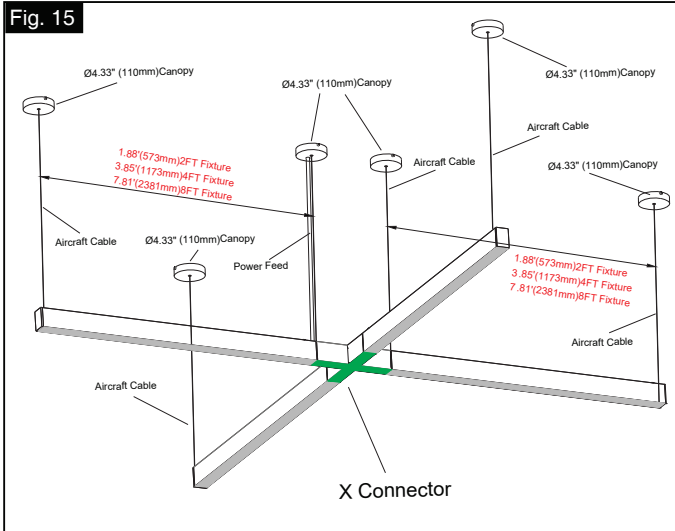


'T' shape continuous run

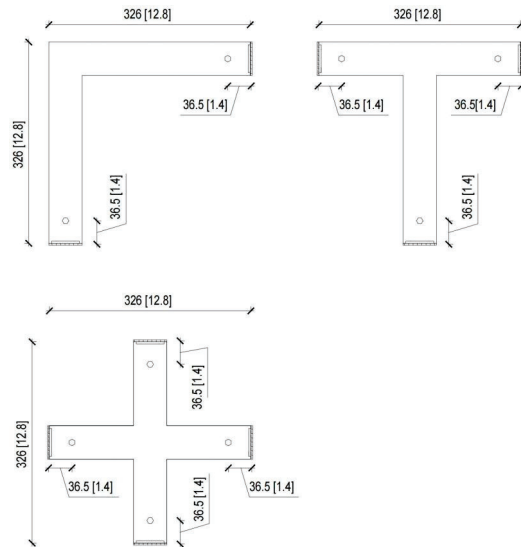


Installation Instruction

'X' shape continuous run



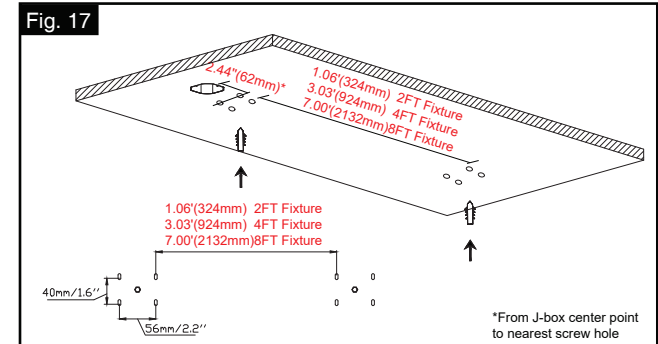
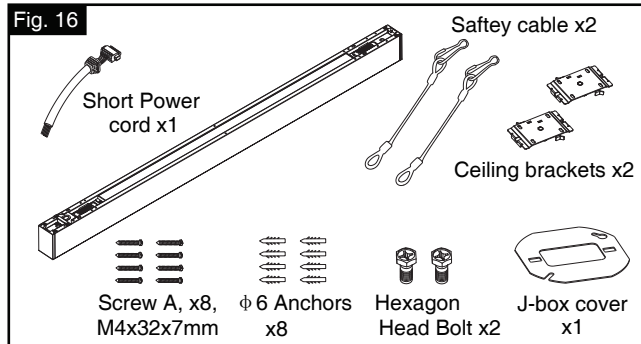
Connector dimensions



Surface mount

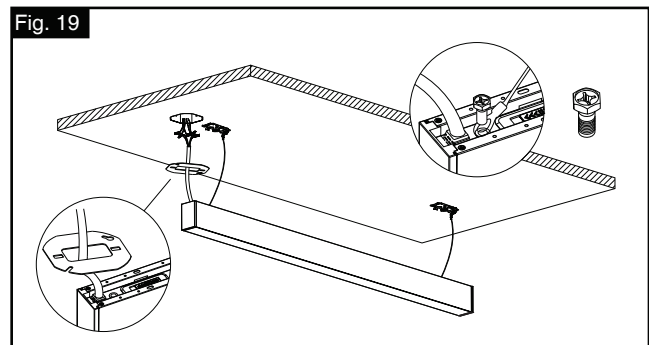
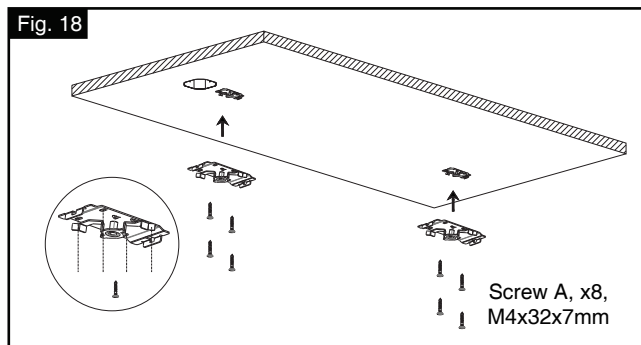
Notice: Always turn off the power supply from main circuit breaker before installing or maintaining fixture.

1. Take out the fixture and accessories from packaging and inspect for any damages. Connect the provided short power cord to the fixture before installation.



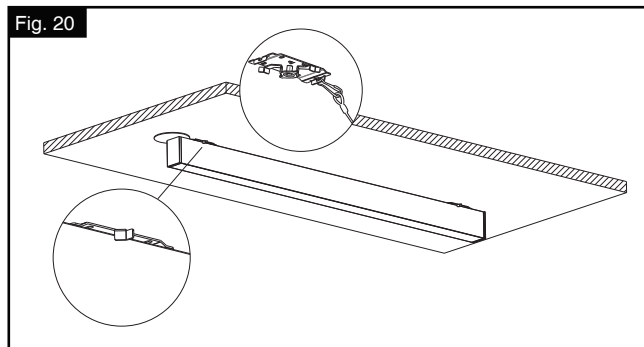
3. Fix the brackets to the ceiling with provided screws A.

4. Fix safety cable to the fixture back with Hexagon Head Bolt. Hang the safety cables to the brackets. Pass power cord through the provided J-box cover-plate and make wiring to Main power.

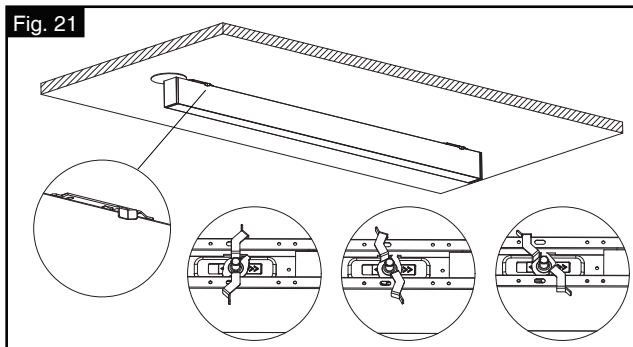


Installation Instruction

5. Attach the fixture to the brackets as shown, toggle and lock the latch on the bracket.



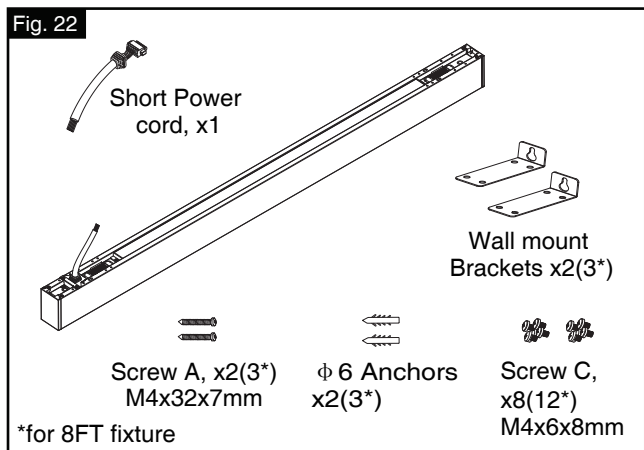
6. Make sure the fixture hung in the ceiling firmly. Clean up fingerprints and stains.



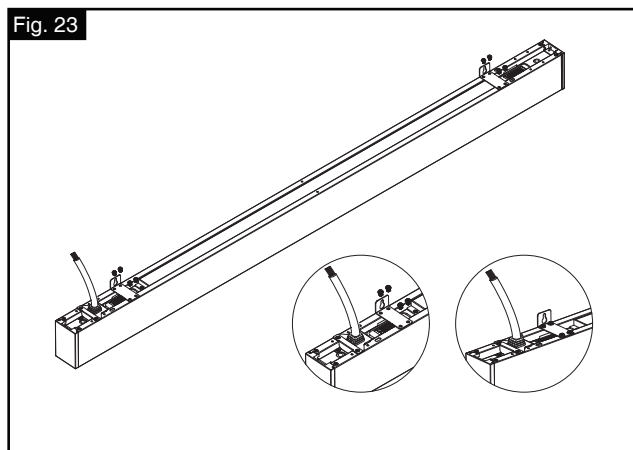
Wall mount

Notice: Always turn off the power supply from main circuit breaker before installing or maintaining fixture.

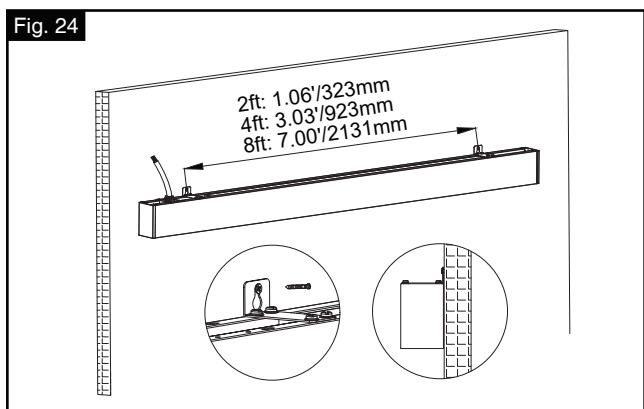
1. Take out the fixture and accessories from packaging and inspect for any damages. Connect the provided short power cord to the fixture before installation.



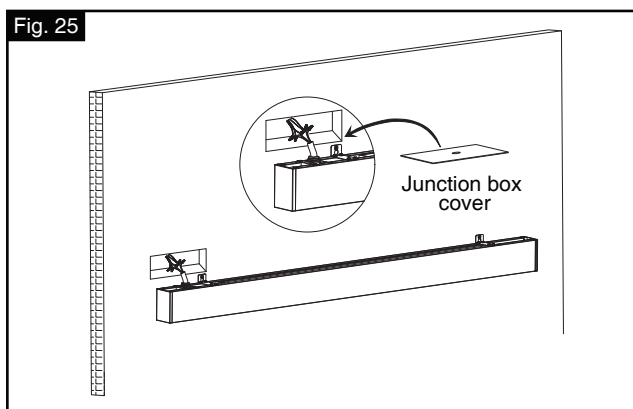
2. Secure the wall mount brackets to the fixture back with screw A.



3. Position using the junction box as reference point, drill 2 holes in the ceiling as shown, then install anchors and hang fixture with provided screw A.



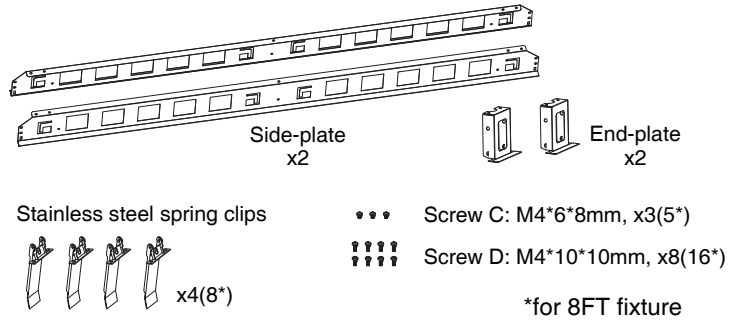
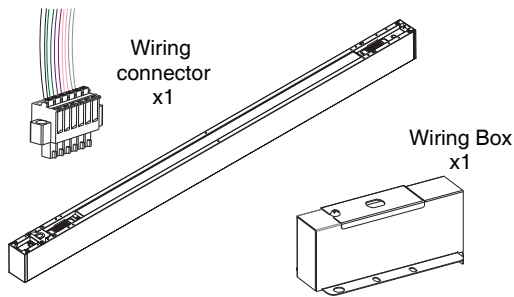
4. Do wiring connection to Main Power as required by code and local regulations. Place all wires and connectors into the junction box. Cover the junction box and clean up fingerprints and stains.



Installation Instruction

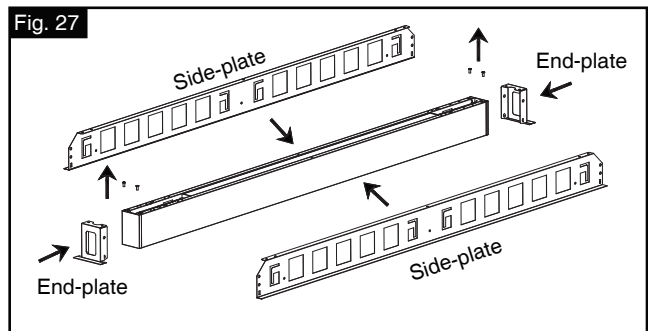
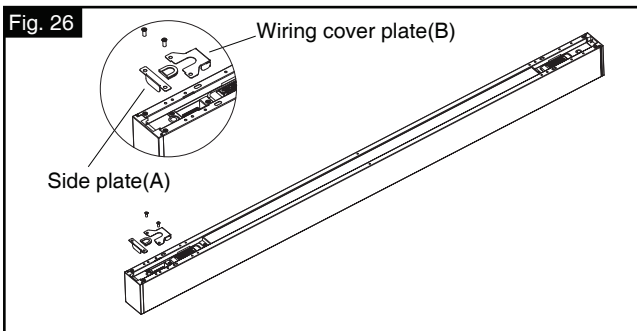
Recessed mount

Notice: Always turn off the power supply from main circuit breaker before installing or maintaining fixture.



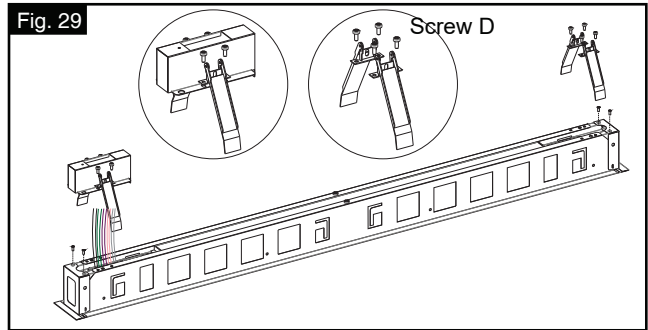
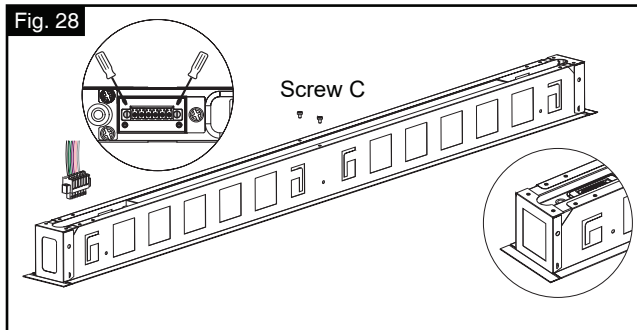
1. Remove original wiring cover Plate A and B.

2. Remove the 4 screws as shown, attach Side-plates and end-plates to fixture.



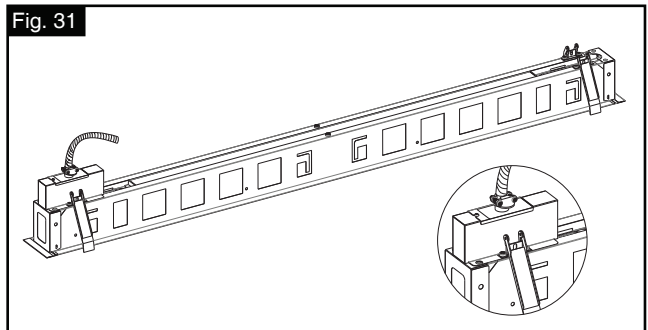
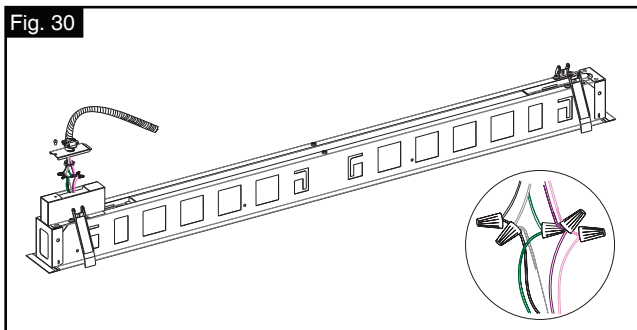
3. Use Screw C to secure the middle of side plates. Install wiring connector to fixture, and secure the connector by tightening the 2 screws on the connector.

4. Attach spring clips and wiring box to side plates. Use Screw D to secure side plates, wiring box and all clips. Use screw removed in Fig. 25 to lock the end-plates.



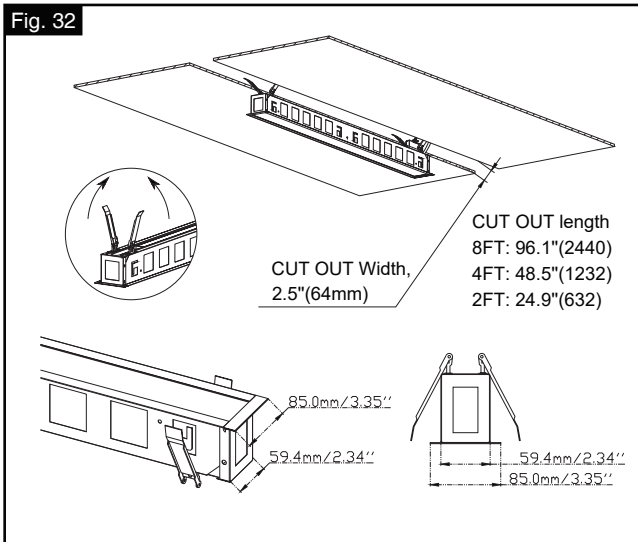
5. Secure the Pipe to the access plate removed from the wiring box and make wiring.

6. Attach the access plate and Pipe to the wiring box.

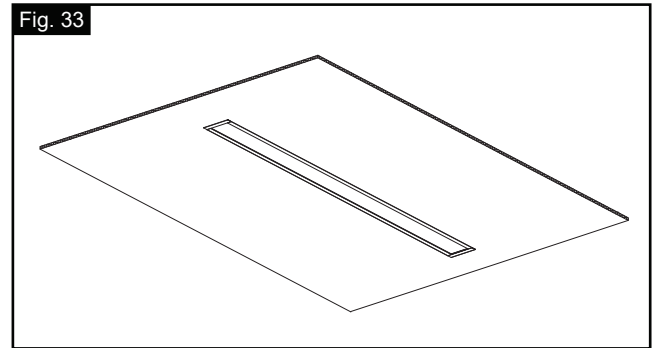


Installation Instruction

7. Align fixture to pre-cut hole, lift the spring clips and insert fixture to the ceiling.

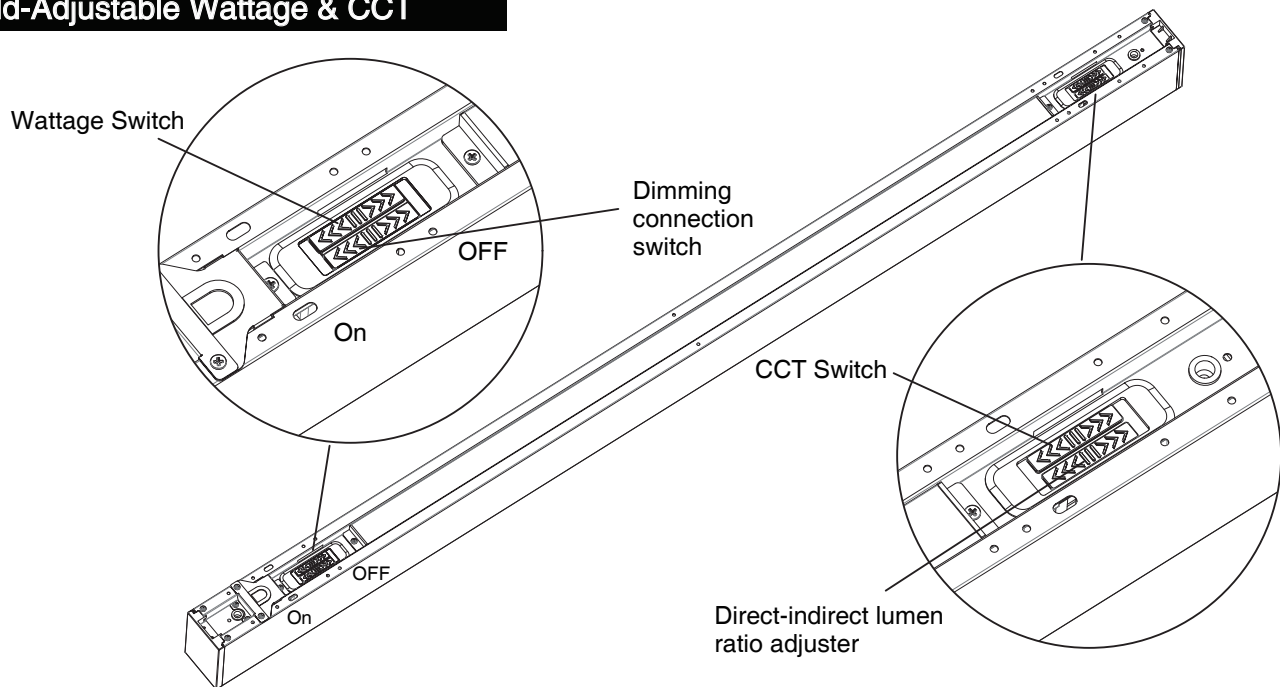


8. Clean up fingerprints and stains. The installation is completed.



Please isolate two dimming wires (pink and purple) by P2 terminal individually if no need dimming;

Field-Adjustable Wattage & CCT



End users can fine-tune their lighting environment using dedicated DIP switches, as depicted in the diagram. These switches provide precise control over three key aspects of the lighting system:

Color Temperature: Users can select from 5 different CCT (Correlated Color Temperature) settings, allowing them to achieve the perfect ambiance for their space.

Lumen Output: The system offers 4 power options, enabling users to adjust the brightness to suit their needs.

Direct-to-Indirect Lumen Ratio: With 3 available settings, users can balance the distribution of light, choosing between more direct illumination and a softer, more diffused effect.

By leveraging these options, users can create a customized lighting setup that meets their specific requirements for color temperature, brightness, and light distribution.

There is also a dimming connection switch which enables selective isolation/connection of adjacent fixture driver dimming wires while managing dimmable circuit interoperability across interconnected lighting systems. For example, it enables sensor to control designated one or multiple fixtures via parallel-connected dimming wires. **When set to OFF, the dimming wire contactor on the fixture end near the switch is disconnected.**