

Project:	
Type:	
Catalog #:	



STANDARD



ILLUMINATION

- Long lasting, efficient, ultra bright white LED lamp heads.
- 1.0 watt (8 LEDs x 0.125 watt) per head.
- High performance chrome-plated metalized reflector and plastic lens for optimal light distribution.
- Adjustable LED lamp heads provide optimal center-to-center spacing.
- Optional high lumen heads are 1.5 watts (12 LEDs x 0.125 watt per head) and provide increased center-to-center spacing.

ELECTRICAL

- Powered from low voltage power source with low voltage wiring (not provided).

MOUNTING

- Universal mounting adapter plate included. Mounts to single-gang switch box.
- Distance of maximum run is determined by system voltage, wire gauge and total maximum wattage on the run.
- Suitable for wall or ceiling mount.

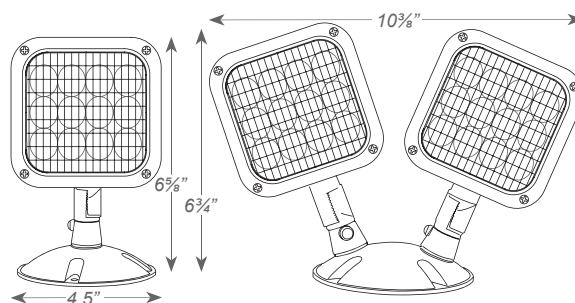
HOUSING

- Available in both engineering grade, high-impact resistant polycarbonate or premium grade die-cast aluminum housing.
- Sealed and gasketed in standard gray or black finish.

WARRANTY / LISTING

- Five year warranty.
- UL Listed for wet locations (-30°C – 50°C).
- Meets UL924, NFPA 101 Life Safety Code, NEC, OSHA, Local and State Codes.

DIMENSIONS



FIXTURE COMPATIBILITY LIST

Reference individual unit equipment specification sheets for remote load capacity availability.

BEST LIGHTING MODEL TYPE		
CADXR	CALEDXTE-RC	CAR
CEM-RC	CEU-RC	CKXTEU-RC
CLPU	CWLEZTE-RC	DXR
E-1-RC	EM-RC	LESDXR627
LEDTFX-2	NYDXR	RMCLPU-RC
RMLEDCXTE-RC	RMR-16-65/125	

ORDERING INFORMATION

Sample Part Number: RHLED1-WP-MV

MODEL	No. of HEADS	OPTIONS	HOUSING	VOLTAGE	COLOR	LAMP TYPE ¹
RHLED	1 Single Head	(blank) For Standard Non-Self-Diagnostic Fixtures	PWP Thermoplastic	MV For Use With 3.6V, 6V, 9.6V & 12V DC Power Source	(blank) Gray	(blank) 8 LEDs 1W
	2 Double Head	SDT For Use With Fixtures With A Self-Diagnostic Option	WP Die-Cast		B Black	HL 12 LEDs 1.5W

¹ Wattage rating stated per head.