

emergency LIGHTING

NEW!

Ideal for commercial and industrial facilities where economy, appearance and the ultimate ease of installation and maintenance are desired. Solid state electronics offer both reliability and low-cost performance.

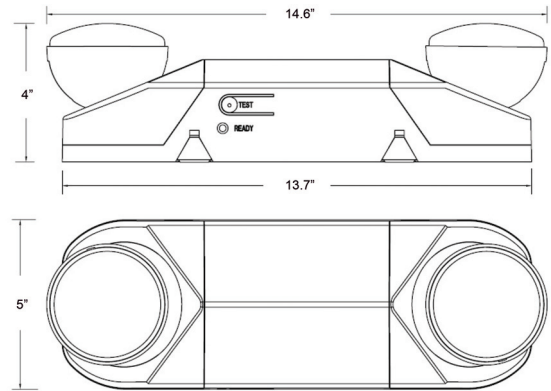


PAR-1

FEATURES

- Incandescent 6V 5.4W lamps with PAR-type lamp heads**
- 6-Volt, sealed lead acid, rechargeable, maintenance-free battery**
- Completely self-contained**
- Fully automatic operation**
- Compact, low-profile design**
- Automatic, low-voltage disconnect (LVD)**
- Push-to-test switch**
- Dual voltage, 120/277VAC operation**
- UL listed for damp location**

DIMENSIONS



Ordering Information

Catalog Model #	Housing Color	Battery Voltage	Lamp Wattage	Battery Type	Damp Location	Emergency Operation
PAR-1	W-White B-Black	6V	2x5.4W	Sealed lead acid	Yes	90 Min

