

Project:	
Type:	
Catalog #:	



STANDARD



ILLUMINATION

- Ultra-bright, energy efficient, long-life Red or Green LED
- High performance premium grade, ultra-bright white LED lamps.
- 3W (1 LED x 3 watts) per head

ELECTRICAL

- Dual 120/277 voltage.
- Charge rate/power "ON" LED indicator light and push-to-test switch for mandated code compliance testing.
- 8.4V long-life, maintenance-free, rechargeable NiCd battery.
- Internal solid-state transfer switch automatically connects the internal battery to LED board and LED lamp heads for minimum 90-minute emergency illumination.
- Fully automatic solid-state, two-rate charger initiates battery charging to recharge a discharged battery in 24 hours.

MOUNTING

- Aluminum mounting canopy included for top or end mount.
- Universal K/O pattern on back plate for wall mount.

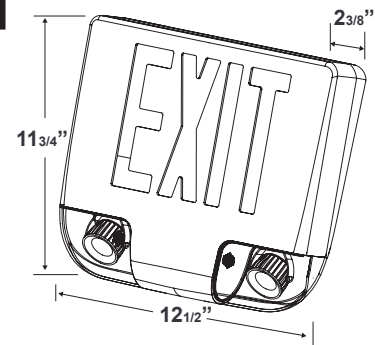
HOUSING

- First premium grade die-cast combo in the market. Unique new design provides spec-grade EXIT sign with LED lamp heads in one low-profile housing.
- Premium-grade, extruded aluminum housing (also available in black or white powder-coated finishes).
- Field selectable knockout Chevron directional indicators.
- Quick-snap face plate closure.
- Unique design allows double face conversion in the field.

WARRANTY/LISTING

- Five year warranty on all electronics and housing. Battery pro-rated for five years.
- Meets UL924, NFPA 101 Life Safety Code, NEC, OSHA, Local and State Codes.
- UL listed for damp locations. (0°C – 50°C)

DIMENSIONS



ORDERING INFORMATION

Sample Part Number: **CKXTEU-1-R-A-A-EM**

Special voltage options available. Check with your Best Lighting Representative.

Model	No. of faces	Letters	Housing	Face Plate	Battery	Options
CKXTEU	1 Single Face	R Red	W White	W White	EM Battery Back-up	RC Remote Capacity
	2 Double Face	G Green	B Black	B Black		
	3 Universal Single/Double Face		A Aluminum	A Aluminum		

Project:	
Type:	
Catalog #:	

ELECTRICAL INFORMATION

Catalog Number	Input Watts (W)		Input Amps (A)	
	120V	277V	120V	277V
CKXTEU-RED/GREEN	4.6	4.8	0.053	0.024

CENTER-TO-CENTER SPACING GUIDELINES

For reference only.



1	0.07	0.10	0.15	0.25	0.52	0.96	1.13	2.13	1.75	1.22	0.82	0.53	0.54	0.72	0.83	0.78	0.66	0.54	0.44	0.27	0.20	0.10	0.06	0.03	
2	0.08	0.11	0.16	0.28	0.49	1.03	1.92	3.03	2.70	1.89	1.20	1.00	1.05	1.30	1.59	1.60	1.57	1.29	0.91	0.53	0.27	0.14	0.07	0.04	
3	0.07	0.10	0.16	0.26	0.45	0.84	1.77	3.27	4.03	2.85	1.64	1.43	1.77	2.50	3.24	3.10	2.50	1.70	0.96	0.52	0.26	0.13	0.07	0.04	
4	0.07	0.10	0.16	0.24	0.40	0.70	1.45	2.58	3.60	3.00	1.98	1.86	2.58	3.90	4.62	3.72	2.34	1.29	0.67	0.39	0.20	0.12	0.06	0.04	
5	0.06	0.10	0.14	0.21	0.34	0.53	0.95	1.68	2.31	2.53	2.22	2.14	2.58	3.08	3.22	2.22	1.43	0.95	0.49	0.25	0.14	0.09	0.06	0.03	
6	0.05	0.07	0.11	0.17	0.24	0.36	0.60	0.96	1.41	1.89	1.96	1.81	1.68	1.56	1.35	1.11	0.76	0.47	0.29	0.18	0.12	0.08	0.05	0.03	
	12	11	10	9	8	7	6	5	4	3	2	1	0	1	2	3	4	5	6	7	8	9	10	11	12

Meets NFPA 101 Requirements for: 21' center-to-center spacing - 4' path of egress 0' from wall - 7 1/2' mounting height.

REMOTE LAMP COMPATIBILITY

	Maximum Wattage Allowed
CKXTEU	3

Remote Head Family	Total Wattage
RHLED1-R1	1
RHLED2-R1	2
RHLED1-WP-R1	1
RHLED2-WP-R1	2
RHLED1-R1-HL	1.5
RHLED2-R1-HL	3
RHLED1-WP-R1-HL	1.5
RHLED2-WP-R1-HL	3